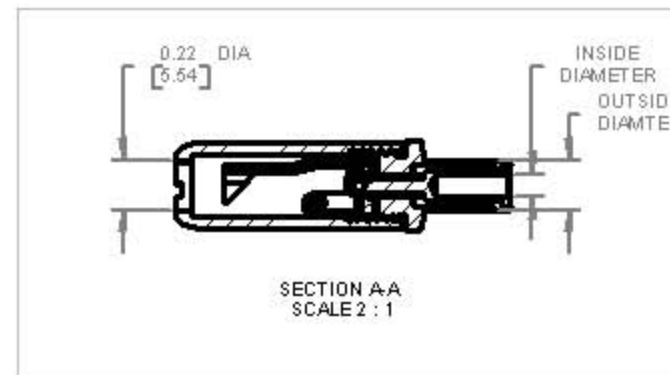
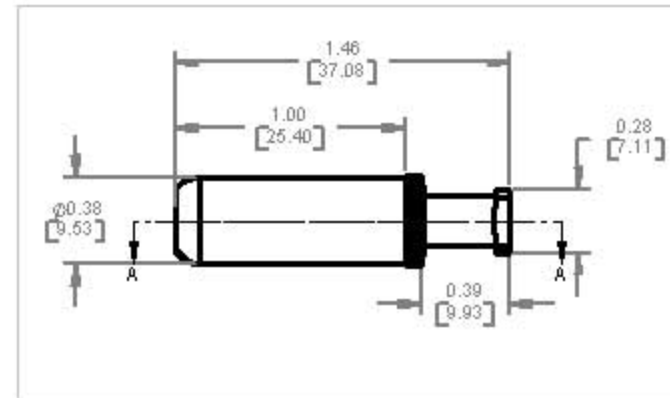


# MINIATURE LOCKING POWER PLUGS



INSIDE DIA METER :	
S760BK :	$\frac{.080"}{2\text{mm}}$ (.080 - .084) (2.03 - 2.13)
760BK :	$\frac{.100"}{2.5\text{mm}}$ (.099 - .103) (2.52 - 2.61)
OUTSIDE DIA METER :	
S760BK :	$\frac{.218"}{5.5\text{mm}}$ (.217 - .221) (5.51 - 5.61)
760BK :	$\frac{.218"}{5.5\text{mm}}$ (.217 - .221) (5.51 - 5.61)